



# **THERAPY EQUIPMENT RAIL 2000 SYSTEM**

**UNIVERSAL MEDICAL  
RAIL SYSTEM**

## **UNIVERSAL MEDICAL RAIL SYSTEM**



The THERAPY EQUIPMENT 2000 RAIL SYSTEM has been especially designed to provide a UNIVERSAL MEDICAL RAIL SYSTEM at a sensible price, whilst making the wall fixing simple.

The principle of the system is a single extruded Aluminium section which can be fitted directly to the wall, without the requirement for additional mounting brackets and fixing kits.

The profile can be used with other types of Rail Clamp, including those used by Medirail, Modura, Draeger and On-Line (East).

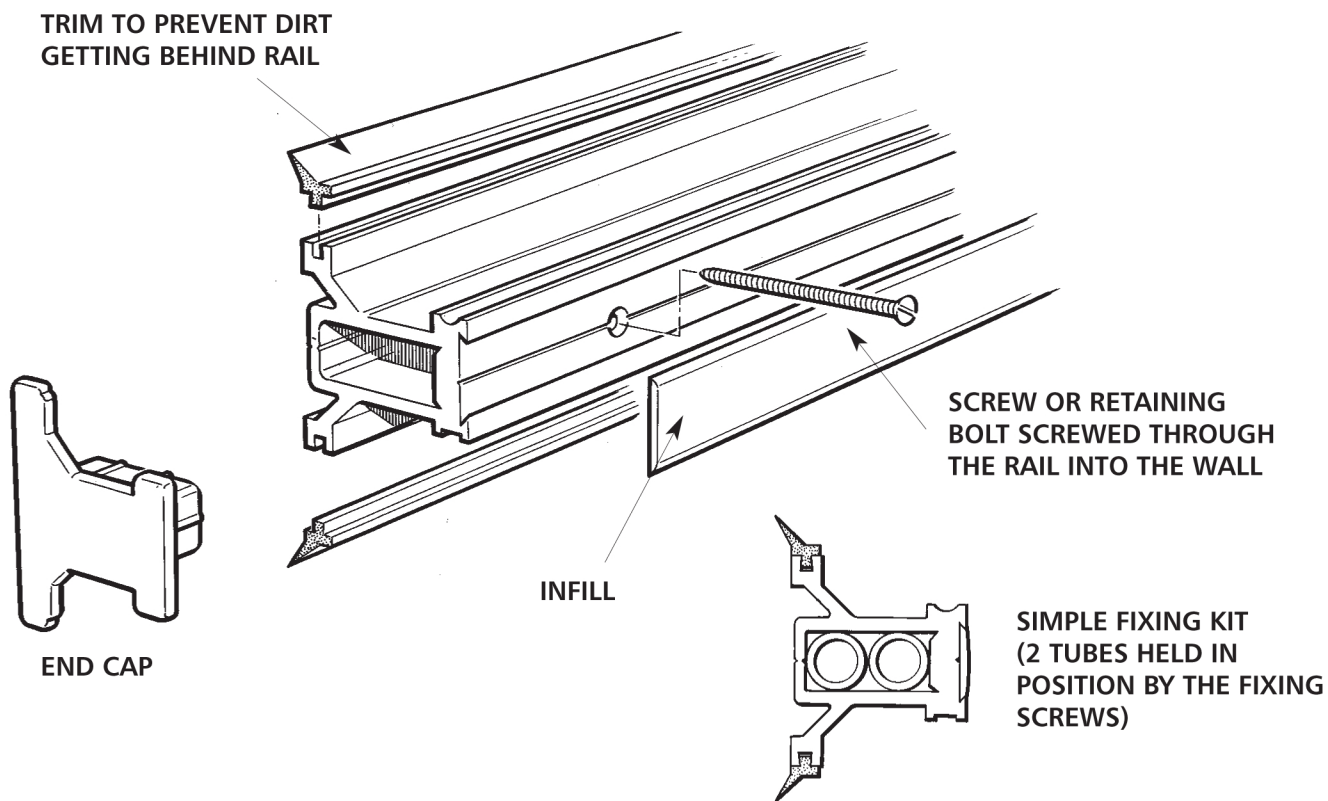
The Rail is suitable for both GENERAL AND HEAVY DUTY PURPOSES. It will support up to 250K weight, provided that the correct wall fixings are used.

The THERAPY EQUIPMENT RAIL 2000 SYSTEM COMES AS A COMPLETE, READY TO USE KIT, INCLUSIVE OF ALL TRIM, INFILL, END CAPS AND WALL FIXINGS.  
THERE ARE NO EXTRAS

The Rail is supplied cut into lengths up to 3 metres. Requirements in excess of 3 metres can be used by means of a simple Joining Kit.

The Rail is fitted directly to the wall, using the appropriate fixing screw or bolt, which are included in the cost. Please be sure to specify the correct wall fitting.

The midpoint of the profile on which the Rail Mounted Equipment hangs is 40mm from the wall, which enables adequate clearance for the equipment, without protruding too far into the room.



## ORDERING INSTRUCTIONS

**RAIL** - Part Number 2120 - (Please state length)  
(inclusive of Trim, Infill, End Caps and Wall Fixings)

A small charge is made for cutting to specific lengths up to 3 Metres.

**JOINING KIT** - Part Number 2120-05

All component parts of the Rail System are available if required.

Part No. 2120-01	RAIL WITHOUT ANY TRIM ETC
Part No. 2120-02	FEATHEREDGE RAIL TRIM
Part No. 2120-03	BLUE FACING STRIP (INFILL)
Part No. 2120-04	END CAPS (PAIR)
Part No. 2130	STANDARD SCREW AND PLUG
Part No. 2131	SPRING TOGGLE AND SCREW
Part No. 2141	INTERSET FIXING AND SCREW

## THErapy EQUIPMENT LTD

UNIT 1, CRANBOURNE AVENUE  
CRANBOURNE INDUSTRIAL ESTATE  
POTTERS BAR, HERTS. EN6 3JN

TEL: 01707 652270 FAX: 01707 652622

E-mail: [sales@therapiequipment.co.uk](mailto:sales@therapiequipment.co.uk)

Website: [www.therapiequipment.co.uk](http://www.therapiequipment.co.uk)

